

SARATOGA UNRESTRICTED QUALIFICATION - COURSE OF FIRE

Required Course Target: *NRA AP-1*

Available at: Zack's Sports, 2138 US 9, Round Lake, NY 12151

Ph: (518) 899-2799

15 YARD LINE: **8 rounds in 40 seconds with a reload.**

10 YARD LINE: **12 rounds in 40 seconds with a reload.**

**NOTE* - For revolver or semi-automatic with 5 round capacity this course of fire will be 12 rounds in 60 seconds with a reload.*

7 YARD LINE: **Total of 18 rounds fired in 2 phases:**

PHASE 1: 6 rounds in 2 round increments.

**NOTE* - For revolver or semi-automatic with 5 round capacity it shall be acceptable to reload to complete this course of fire (e.g. 2 rounds, 2 rounds, reload, 2 rounds).*

PHASE 2: 12 rounds in 40 seconds with a reload.

**NOTE* - For revolver or semi-automatic with 5 round capacity this course of fire will be 12 rounds in 60 seconds with a reload.*

12 rounds fired in 2 phases:

3 YARD LINE: **PHASE 1: 6 rounds in 2 round increments.**

**NOTE* - For revolver or semi-automatic with 5 round capacity it shall be acceptable to reload to complete this course of fire (e.g. 2 rounds, 2 rounds, reload, 2 rounds).*

PHASE 2: 6 rounds in 6 seconds.

**NOTE* - For revolver or semi-automatic with 5 round capacity it shall be acceptable to reload to complete this course of fire (i.e. 5 rounds in 5 seconds, reload, 1 round in 1 second).*

As some portions of the courses of fire are time-specific, it is recommended that participants are familiar with the use of speed clips when using a revolver prior to attending this course. In the event a participant chooses to use a semi-automatic pistol it is recommended that they are familiar with changing magazines in a timed setting.

The live-fire portion of the course shall utilize the *NRA AP-1* target and shall be scored utilizing the *NRA Action Shooting Pistol Rules, Section 4.2* (see below).

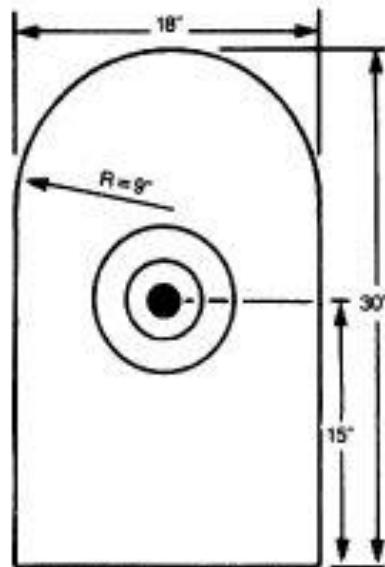
4. TARGETS

4.1 Official Targets-In NRA Sanctioned competition, only targets printed by NRA Licensed Manufacturers, bearing the Official Competition target seal will be used. Use of an additional aiming mark or marking is prohibited.

OFFICIAL TARGET DIMENSIONS

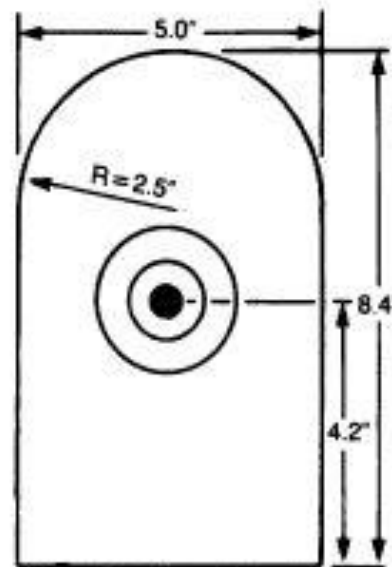
4.2 Precision Target Events-NRA AP-1 (paper or cardboard). The target will be of the configuration and dimensions described in Fig. 1. Targets may be made of paper or cardboard. All scoring lines will be of low visibility. (Refer to Sec.14 for scoring procedures) The cardboard target must have printed on it the words "NRA AP-1 Official." Cardboard used must have no treating for weather or other purpose.

13



X Ring: 4" diam. = Tie breaker
 A Ring: 8" diam. = 10 points
 B Ring: 12" diam. = 8 points
 C Remainder: = 5 points

X Ring: 4" diam. = Tie breaker
 A Ring: 8" diam. = 10 Points
 B Ring: 12" diam = 8 Points
 C Ring: Remainder = 5 Points
 Fig. 1-Precision Target, NRA AP-1 (Trademarked as the "Bianchi Target")
 (Paper or cardboard)



X Ring: 1.12" diam. = Tie breaker
 A Ring: 2.24" diam. = 10 points
 B Ring: 3.36" diam. = 8 points
 C Remainder: = 5 points

X Ring: 1.12" diam. = Tie breaker
 A Ring: 2.24" diam. = 10 Points
 B Ring: 3.36" diam = 8 Points
 C Ring: Remainder = 5 Points
 Fig. 2-Precision Target, NRA AP-2 (Paper), reduced.